

Aladdin



Aladdin MM-DIM-LM

USER MANUAL

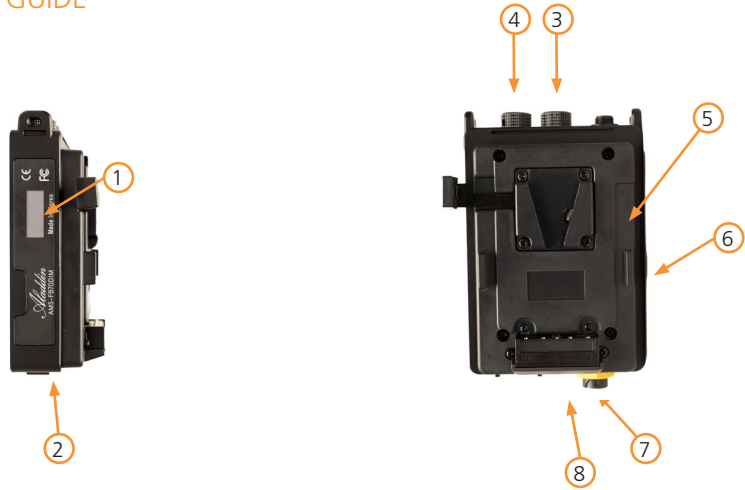
THANK YOU FOR YOUR PURCHASE

User Manual

Version: 4. December 2024, 4:26 PM

Aladdin Lights
info@aladdin-lights.com

START-UP GUIDE



1	LCD
2	Power Switch
3	Temperature Control
4	Dimmer Control
5	Battery Plate
6	LED Panel Socket
7	DC Input Socket
8	Mini Jack for wired DMX

HOW TO USE

Auto detect Panel	<ol style="list-style-type: none"> 1. Turn off the dimmer (Caution! Must turn off when you replace sheets) 2. Install sheet 3. Install power source (AC or DC) 4. Turn on the dimmer
Show Panel type on the LCD	<p>5 All-in 1 : It has 5in1 LEDs Bi-Color : Previous bi-color sheet</p>
Dimming dial	<ol style="list-style-type: none"> 1. Adjust intensity by turning the dial. 2. Select functions by pressing the dial.
CCT Dial	Adjust CCT or Hue by turning the dial.

SELECT MENU BY PRESSING DIMMING DIAL

1	BI Color
2	Hue Color
3	Effect
4	Adjust CCT or Hue by turning the dial.

BI-COLOR MENU (G/M OPTIONS APPLY ONLY TO RGBWW PANELS)

Dimming Dial	Control intensity from 0% to 100% / Auto speed control -1% steps with slow turning -10% steps with fast turning
CCT Dial	Control CCT by the range of sheets / Auto speed control -100k steps with slow turning -1000k steps with fast turning
Press CCT Dial	Change to G/M Menu

G/M MENU APPLY ONLY TO RGBWW PANELS

Dimming Dial	Control intensity from 0% to 100% / Auto speed control -1% steps with slow turning -10% steps with fast turning
CCT Dial	Control +100% green and -100% magenta -1%k steps with slow turning -100 steps with fast turning
Press CCT Dial	Move to Bi-Color Menu

HUE MENU

Dimming Dial	Control 360° Hue Value -1% steps with slow turning -10% steps with fast turning
CCT Dial	Control +100% green and -100% magenta -1%k steps with slow turning -100 steps with fast turning
Press CCT Dial	Move to Bi-Color Menu

EFFECTS

Dimming Dial	Select Effect
CCT Dial	Set Speed from 0 to 25 or dimming 0%-100%
Press CCT Dial	Switch Effect Speed <-> Effect Dimming

DMX Menu

Dimming Dial	Select DMX Type: Wired or LumenRadio
Press Dimming Dial	Confirm DMX Type and reboot
CCT Dial	Set DMX Channel 1-511
Press CCT Dial	Switch between simple and expert DMX Mode

Lumen Radio Reset (Visible only in DMX Radio mode)

Dimming Dial	Select Yes or No
Press Dimming Dial	Press Yes, Reset Lumen Radio sync

WARRANTY

Thank you for purchasing our product!

We provide a one-year free warranty from the date of purchase. After the free warranty period expires, you can continue to access warranty services for an additional fee.

The following cases are not covered under the free warranty, even if they occur within the warranty period:

- Product failure caused by consumer negligence.
- Product failure due to the use of unauthorized power sources.
- Product failure resulting from disassembly or repairs by unauthorized service providers.
- Product failure caused by natural disasters.

Purchase Details:

- Purchased Store:
- Purchase Date:
- Manufacturer: Aladdin Lights
- Website: www.aladdin-lights.com
- Phone: +82-2-710-5518

SELECTED OPTIONAL ACCESSORIES



MM-YDMX

DMX-Y Cable to Mini Jack



MM-BASIC3M

3 meters of extension cable for inbetween dimmer unit and panel.

TECHNICAL SPECIFICATIONS

Article code	MM-DIM-LM
Compatibility	MOSAIC MINI / BI-FLEX M3 / BI-FLEX M7
Dimmer	1% - 100%
Cooling	Passive cooling
Dimensions	140mm(W) x 100mm (H) x 50mm (D)
Weight	348g
Temperature range	-10°C – +40°C
DMX512 support	with DMX-Y Cable to Jack
Wireless connection	Lumen Radio and Bluetooth

IMPORTANT CAUTIONS AND WARNINGS

- Avoid using the product near flammable materials or heaters.
- Do not use the product in rain or in environments where it may get wet.
- Keep the product away from direct sunlight.
- Prolonged use may cause the product to heat up; handle with caution during such times.
- Operate the product only within the temperature range of -10°C to 40°C.
- Use only the recommended power sources specified by the manufacturer.
- Keep the product out of reach of infants.
- Do not touch the product with wet hands.