

Aladdin



Aladdin M3 / M7 DIMMER

USER MANUAL

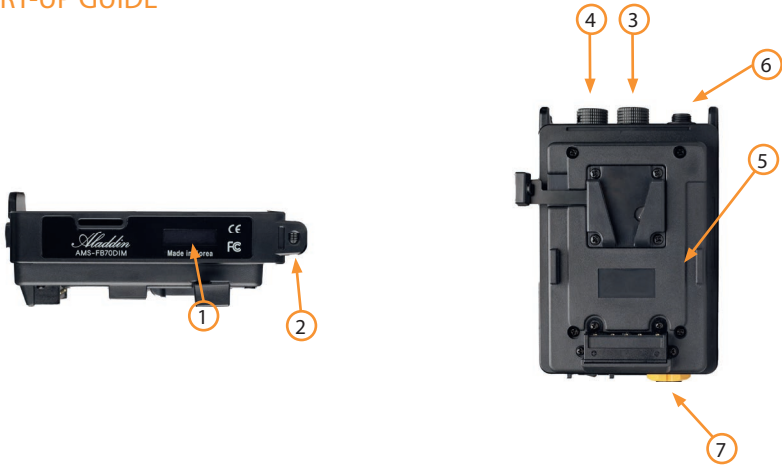
THANK YOU FOR YOUR PURCHASE

User Manual

Version: 20. June 2023, 3:49 PM

Aladdin Lights
info@aladdin-lights.com

START-UP GUIDE



1	LCD
2	Power Switch
3	Temperature Control
4	Dimmer Control
5	Battery Plate
6	LED Panel Socket
7	DC Input Socket



IMPORTANT CAUTIONS AND WARNINGS

- Do not use near flammables and heaters.
- Do not expose the unit to direct sunlight for a long period (applies also for storing in a car).
- Do not damage the product with improper force or cause any impact with heavy objects.
- Keep out of reach of children.
- Use the product only within temperature range of -10°C – +40°C.
- When you have technical problems while using the product, stop using it immediately and contact your dealer / reseller.

WARRANTY

We provide a one year warranty period after the purchase. This warranty covers repairs or a replacement for faulty products within this period. After this warranty has been expired, you can still get repairs for your product which will be charged extra.

Aladdin Lights reserves the right to refuse warranty service on products under disputable conditions.

WARRANTY EXCLUSIONS

In case of any of the below listed causes, the warranty does not apply, even if it is within the free warranty period.

- Product failure due to consumer negligence.
- Product failure due to usage of not compatible power sources.
- Product failure due to disassembly by not official resellers/distributors.

SELECTED OPTIONAL ACCESSORIES



MFL30BIEXCA2M

Extension Cable 2 Meters.



MFL30BIEXCA5M

5 meters of extension cable for inbetween dimmer unit and panel.

TECHNICAL SPECIFICATIONS

Article code	FL357BI DIM
Compatibility	BI-FLEX M3 / BI-FLEX M7
Dimmer	1% - 100%
Cooling	Passive cooling
Dimensions	140mm(W) x 100mm (H) x 50mm (D)
Weight	348g
Temperature range	-10°C – +40°C
DMX512 support	with DMX Attachment (optional)
DMX512	2 Channels - White Bi-Color
Temperature range	3000K - 6000K
IP-Rating	21



Aladdin

www.aladdin-lights.com

PICTURE BY ELIA QUADRI